



Product Applications



Terminal System Overview



Housing Overview

Coupling connectors

Sicma



6 way sealed coupling housings for 1.5 + 2.8 mm terminals

Features

- 6 position housings mixed loading
- 3.33 mm pitch
- Reduced size sealed housings
- Female part can be used as an aggregate housing
- Circumferential interface seal on female housing
- Rear sealing ensured by a pre-mounted mat-seal
- Pre-assembled front grids support blade terminal guiding and mating
- Terminal position assurance (T.P.A.)
- CPA optional available
- Fretting free version available
- GO-NO-GO housing locking principle
- Mechanical polarization
- Several colour codings available



Performance characteristics

- Temperature range: from -40° C to +125° C
- Contact retention force: > 100 N for 1.5 mm terminals > 130 N for 2.8 mm terminals
- Contact insertion force: < 12 N for 1.5 mm terminals < 15 N for 2.8 mm terminals
- Connector mating force: < 60 N
- Sealing protection: IP 68
- Acceptable wire range: - 0.5 mm² to 2 mm² for 1.5 mm - 0.5 mm² to 4 mm² for 2.8 mm
- Housing locking strength: < 80 N

Construction

- Housing material: PBT
- Interface seal: Silicone
- Rear grommet seal: Silicone

Tooling

- T.P.A. removal tool: 210S040
- Terminal removal tool
 - Female terminal: 211S015
 - Male terminal: 211S016
- Cavity plug: 210A015019

Connector compatibility

- Usable terminals:
 - Sicma-3 1.5 mm female terminals
 - Sicma-3 1.5 mm male terminals
 - Sicma-3 2.8 mm female terminals
 - Sicma-3 2.8 mm male terminals

Overview of SICMA housings

Part number	No. of position	Terminal size	Type	Colour	Full schroud
211 PC062S1049	6	1.5	Female	Brown	N
211 PC062S4049	6	1.5	Female	Yellow	N
211 PC062S5049	6	1.5	Female	Green	N
211 PL062S1049	6	1.5	Male	Brown	N
211 PL062S4049	6	1.5	Male	Yellow	N
211 PL062S5049	6	1.5	Male	Green	N



Table of Content



Product Applications

Coupling connectors

Sicma



Terminal System Overview

6 way sealed coupling housings for 1.5 + 2.8 mm terminals

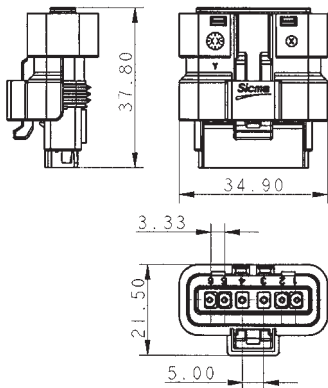


Housing Overview

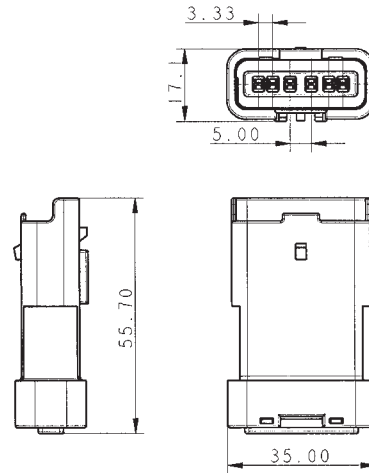
Part number	No. of position	Terminal size	Type	Colour	Full schroud
211 PC069S0049	6	4x1.5+2x2.8	Female	Black	N
211 PC069S6049	6	4x1.5+2x2.8	Female	Blue	N
211 PC069S8049	6	4x1.5+2x2.8	Female	Grey	N
211 PL069S0049	6	4x1.5+2x2.8	Male	Black	N
211 PL069S6049	6	4x1.5+2x2.8	Male	Blue	N
211 PL069S8049	6	4x1.5+2x2.8	Male	Grey	N

Dimensional characteristics

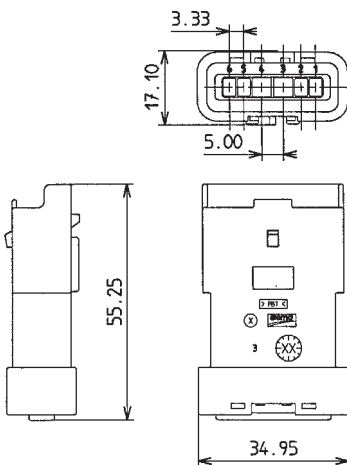
**Female housing - half shroud
1.5 mm**



**Male housing
1.5 mm**



**Male housing
1.5 + 2.8 mm**



**Female housing - half shroud
1.5 + 2.8 mm**

